



**ColumnTM
Climber**

PRODUCT PROFILE **2017**

Column Climber is a division of Nascent Corporation



COLUMN CLAW

Column Claw (flange widths to 14"; flange thicknesses to 1-7/8")

Column Claw™ is vertically-sliding and fall-activated to provide 100% tie-off and industry leading <2-0 foot fall arrest* for unrestricted vertical mobility to ascend/descend or work from columns. Meets or exceeds: ANSI Z359.1, ANSI Z359.3, OSHA 1926.502



COLUMN CLIMBER

Column Climber™ patented design gives the steel worker unmatched mobility, as an access device, and unparalleled convenience as a personal work platform, at every work point. With Column Climber™, instantly climb up, climb down, re-position, work hands free at every work point - maximum productivity with no compromise on safety.



CHAIN T-LANYARD

T Lanyard (chain) is as a high strength positioning lanyard for use with our exclusive front-flange mounted Column Claw, which provides uninhibited vertical mobility while maintaining 100% tie-off protection and fall arrest to within +/- 2-0 feet. Meets or exceeds: ANSI Z359.1, ANSI Z359.3, OSHA 1926.502



HS WEB LANYARD

T Lanyard is a high-strength positioning lanyard specifically designed for use with our exclusive front flange-mounted Column Claw, which provides uninhibited vertical mobility while maintaining 100% tie-off protection and fall arrest of 2-0 feet or less. Meets or exceeds: ANSI Z359.1, ANSI Z359.3, OSHA 1926.502

Our Mision

We start with the premise that improving safety should not mean decreasing performance, comfort and productivity. Our mission is to develop superior, innovative safety products and solutions for the growing PPE market where improved safety is synonymous with lower costs and increased productivity.

Our Product

Our products provide unmatched mobility, safety, and comfort for anyone working at heights, while at the same time lowering the high cost and inconvenience typically associated with conventional products that do not provide equivalent safety and speed.

Brilliantly designed, simple-to-use, compact to carry, our products are engineered to achieve one goal: a workplace where greater safety equals maximum productivity.

CCOX Combo

Maximum Productivity With Superior Safety



MAXIMUM MOBILITY
100% TIE-OFF



.....
2 FOOT FALL ARREST
.....

Greater **SAFETY**
Higher **PRODUCTION**
Lower **COSTS**



CCOX Combo

Maximum Productivity With Superior Safety

100% TIE-OFF 2 FT FALL ARREST

Fall prevention is better
than fall protection.



Technical Specifications

Foot Frame

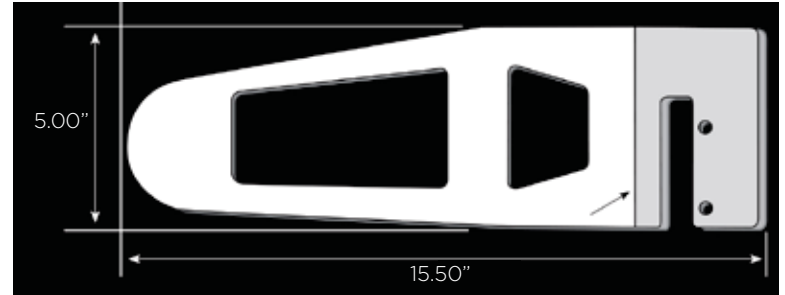
Color: Yellow (standard), Black, Tan, Olive Drab powder coat

Material: ASTM A514 Grade B High-Yield-Strength, Quenched and Tempered Alloy Steel Plate
ASTM A514 Grade B is a quenched and tempered alloy steel plate for structural applications requiring high yield strength combined with good formability and toughness. A514 Grade B has a minimum yield strength of 100 ksi [690 MPa].

0.2% YS ksi [MPa], min.	UTS ksi [MPa] 110 to 130 [760 to 895]	Elongation in 2" [50 mm], min. %	Reduction of Area, min. %	Brinell Hardness* 235 to 293
100 [690]		16	35	

Weight Capacity: CC02/CC13 (standard) 250lbs. user plus tools
CC02/CC13 HD 320 lbs. user plus tools

Flange Capacity: CC02 flange thickness up to 7/8"; CC13 flange thickness 1-17/8"



Work Sole

Color: Black

Material: VIBRAM® EVA compound
Oil-resistant, non-slip, self-cleaning

Thickness: 33 IR Fore, 54 IR Heel (17mm Fore, 29mm Heel).



Webbing

Color: Black

Material (standard): Nylon, military, 1.75 inches, Mil-W-4088, Type 13U, Class 1A, breaking strength: 7000lb

Material (optional): Fire-resistant 100% Kevlar, 1.75 inches, 500 degree F/5 min, breaking strength: 9000lb



Lockdown Bolts

Color: Black

Material: Holo-Krome Socket Button Head Cap Screws, Alloy, Black Oxide

Specification requirements: Dimensions: ASME B18.3
Material & Mechanical: ASTM F835
Hardness: < 1/2" diameter is HRC 39 to 44.
> 1/2" diameter is HRC 37 to 44.



Quick Release Buckle

Color: Black

Material: Sheet steel, heat treated

Load: Min. Breaking Load: 4000 lbs / 18 kN

Meets: Ansi Z359.12-09, CSA Z259.12-11, Net weight: 4.5 oz. / 127 g.



Nosings

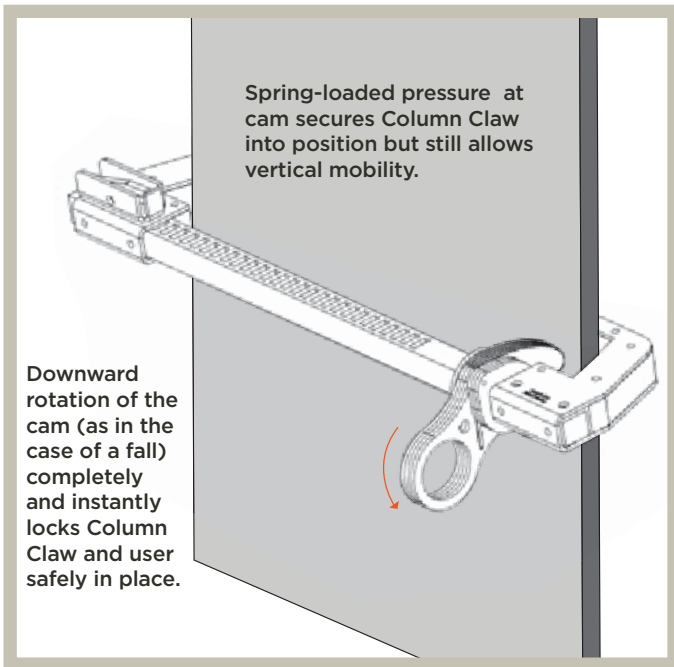
Color: Black

Material: MIL-A-46100 High-Hardness Armor (HHA) 0.25 in plate

Hardness: 477 to 534 BHN range.

Tensile properties: Tensile Strength: 260,000 psi (1792 MPa)
Yield Strength: 150,000 psi (1034 MPa)
Elongation: 13%

Column Claw Technical Specifications



- **Tensile strength:** 5000 minimum
- **Maximum capacity:** 400 lbs user (vertical fall arrest/restraint and anchorage point)

Component Materials:

- Crossbar: 6061 Aluminum
- Restraining Claws: Stainless Steel & 6061 Aluminum
- Cam Attachment point: Stainless Steel
- Latch: Stainless Steel
- Spring: Zinc-plated Steel
- Assembly Hardware: Zinc-plated Steel

Meets or exceeds: ANSI Z-359.1, ANSI Z-359.3, OSHA 1926.502

*Technical Specifications subject to change without notice



Who Uses Column Climber?

Column Climber spans a multitude of industries.



Structural steel construction



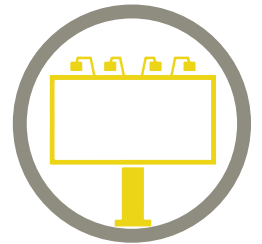
Bridge construction and maintenance



Oil & gas refineries and platforms



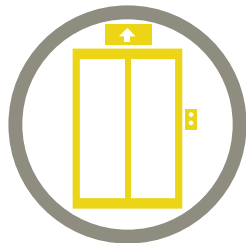
Steel building construction and maintenance



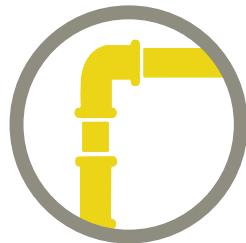
Signage & outdoor advertising



Military use



Elevator rails (using the modified Rail Climber)



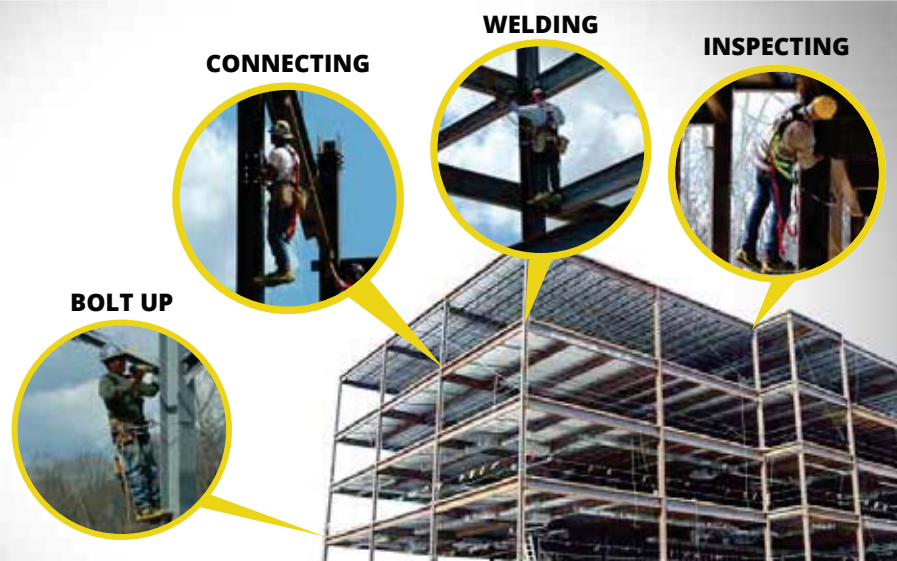
Pipefitters, Electricians, HVAC



Fireproofing and insulation

Column Climber sets a new standard:

- Climbing up and down as easy as going up and down stairs
- Connecting upright, ergonomically and safely, rather than bent over, increasing the risk of injuries, falls, or loss of balance incidents
- Bolting up comfortably with two hands free
- Welding for extended periods, while eliminating foot fatigue and the need for costly manlifts, angel wings, or unstable ladders
- Inspecting quickly without the need for ladders or manlifts
- Incremental access to any workpoint on a column
- Adjustable for flange thickness up to 1-7/8".





World Wide Market

Column Climber is used in over 26 countries

Column Climber use has spread exponentially around the world since its introduction to the global market in 2016. With our new CCOX combo, which sets a new standard in convenience and safety, Column Climber use is growing even faster.

Companies
that trust Us

AECOM



Langley
Research
Center



Défense
nationale

National
Defence



BEN HUR

RUST

Rust Constructors

KDSUPPLY
CONSTRUCTION & INDUSTRIAL
WHITE CAP



**NORD
ACCESS**
INDUSTRIEL REPERTEK



WORKSAFETY



Anjinnov



케스코물산(주)

KESCO

CROSSLAND
CONSTRUCTION COMPANY, INC.



rigg-access



PS شركة خدمات المشروعات - قطر د.م.ق
Project Services Co. - Qatar W.L.L



Anderson Township

**ACEROS
ARQUITECTONICOS**
ESTRUCTURAS METALICAS



RopeSolutions

Contact Us

American Industries, Co.
713 774-2922
american@amindus.com
www.americanindustriesco.com



/columnclimber



@columnclimber



@columnclimber

